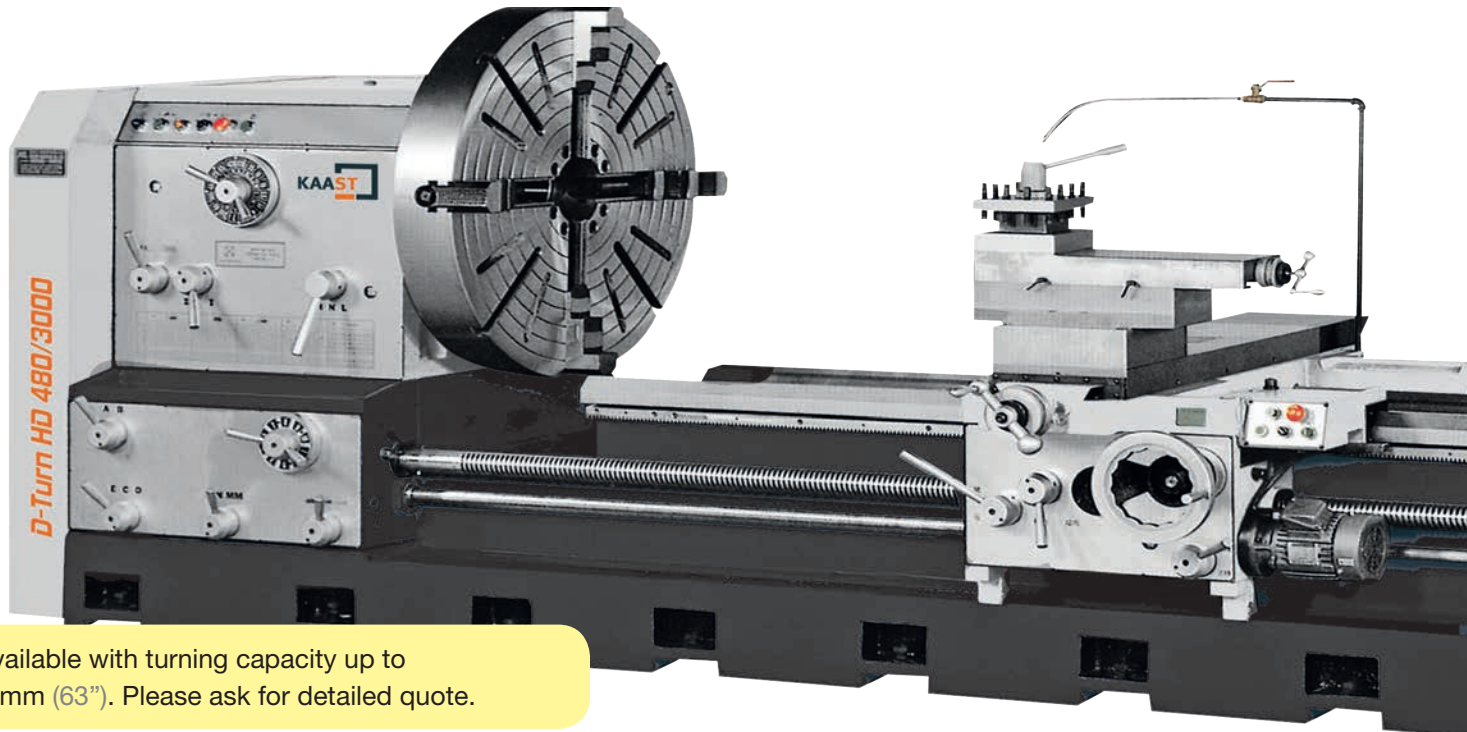




# Heavy duty lathe D-Turn HD

Great for machining large diameter and long work pieces. Features extremely rigid structure for superior precision. 37x78" to 31x312"



Also available with turning capacity up to Ø1600 mm (63"). Please ask for detailed quote.

Specifications		D-Turn HD 480						
		2000	3000	4000	5000	6000	7000	8000
		37" x 78"	37" x 117"	37" x 156"	37" x 195"	37" x 234"	37" x 273"	37" x 312"
Distance between centers	mm	2000 (78")	3000 (117")	4000 (156")	5000 (195")	6000 (234")	7000 (273")	8000 (312")
Turning capacity	mm	Ø960 (37")						
Swing over carriage	mm	Ø650 (25")						
Swing over gap	mm	Ø1390 (54")						
Bed width	mm	610 (23.5")						
Gap length	mm	495 (19")						
Axis travel	X	600 (23")						
	Z	2000 (78")	3000 (117")	4000 (156")	5000 (195")	6000 (234")	7000 (273")	8000 (312")
	Z <sub>1</sub>	370 (14")						
Division value of X-axis dial	mm/rev	0.02 (0.0008"/rev)						
Axis feed	X	0.03–3.52 (0.001–0.14"/rev)						
	Z	0.06–7.04 (0.002–0.27"/rev)						
Threading	Metric	(62) 1–120						
	Diametral	(70) 1–120 D.P.						
	Module	(53) 0.25–30 M.P.						
	Whitworth	(70) 0.25–30 TPI						
Spindle speeds	rpm	(16) 4–420						
Chuck mount		A2–11						
Spindle bore diameter	mm	Ø152 [opt. 230, 305] (5.9" [opt. 9, 12"])						
Tool shank size	mm	40x40 (1.5x1.5")						
Tailstock quill diameter	mm	Ø115 (4.5")						
Tailstock quill travel	mm	305 (11.5")						
Tailstock quill taper		MT 6						
Main spindle motor	kW	22 (30 Hp)						
Weight	kg	8800	9900	11000	12100	13200	14300	15400
		(19,360 lbs)	(21,780 lbs)	(24,200 lbs)	(26,620 lbs)	(29,040 lbs)	(31,460 lbs)	(33,880 lbs)
Item No.		<b>1610001</b>	<b>1610002</b>	<b>1610003</b>	<b>1610004</b>	<b>1610005</b>	<b>1610006</b>	<b>1610007</b>

\*The above specifications are subject to change without prior notice. No liability for printing mistakes. Machine may be shown with optional equipment.

- Heavy FC-30 cast machine bed with strong ribbing helps to minimize vibrations
- Transmission gears and shafts made of hardened and ground high alloy steel running in oil bath
- Robust multi-plate clutch for driving main spindle
- Case hardened and ground machine bed guideways to ensure precision for years
- X and Z-axis coated with Turcite B

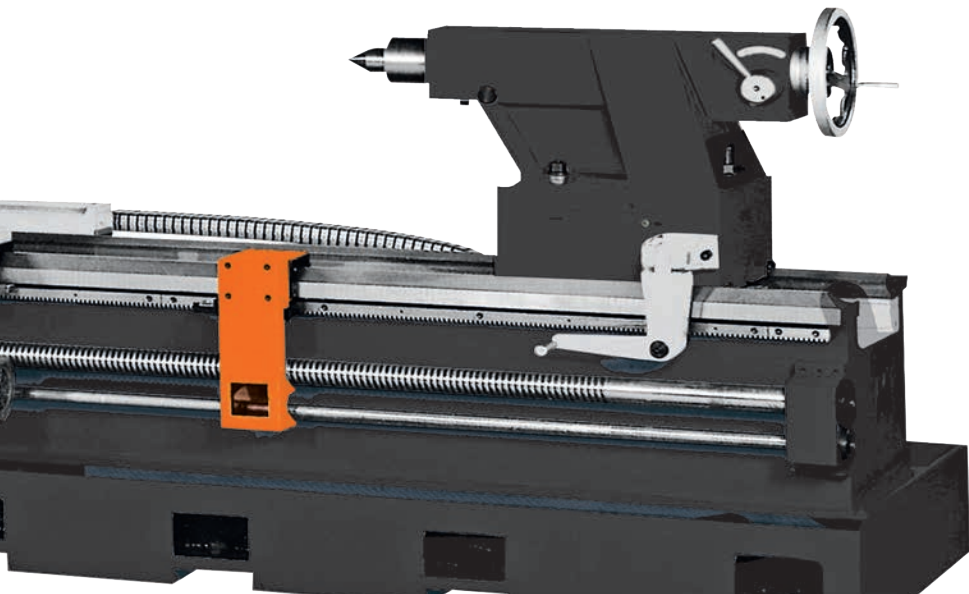
### Standard configuration

- ✓ 3-axis digital readout
- ✓ Faceplate with 4 jaws, Ø1000 mm (39.4")
- ✓ 4-post toolholder
- ✓ Dead center
- ✓ Spindle sleeve MT6
- ✓ Steady rest
- ✓ Tailstock with 2 feed speeds
- ✓ Longitudinal & cross rapid feed
- ✓ Automatic lubrication
- ✓ Electromagnetic spindle brake
- ✓ Leveling pads and bolts
- ✓ Tool kit
- ✓ Operation manual

### Optional configuration

- Double chuck system
- Faster spindle motor
- 3-jaw chuck (various sizes)
- 4-jaw chuck (various sizes)
- Follow or steady rest (various sizes)
- Taper attachment
- Quick-change toolholder
- Hydraulic copying attachment
- Guideway guard
- Drilling and milling attachment
- Grinding attachment

3-axis digital readout (DRO) is included  
Rapid traverse X and Y axis



Specifications		D-Turn HD 560							
		2000	3000	4000	5000	6000	7000	8000	
		43" x 78"	43" x 117"	43" x 156"	43" x 195"	43" x 234"	43" x 273"	43" x 312"	
Distance between centers	mm	2000 (78")	3000 (117")	4000 (156")	5000 (195")	6000 (234")	7000 (273")	8000 (312")	
Turning capacity	mm	Ø1120 (43.5")							
Swing over carriage	mm	Ø810 (31.5")							
Swing over gap	mm	Ø1550 (60")							
Bed width	mm	610 (23.5")							
Gap length	mm	495 (19")							
Axis travel	X	600 (23")							
	Z	2000 (78")	3000 (117")	4000 (156")	5000 (195")	6000 (234")	7000 (273")	8000 (312")	
	Z <sub>1</sub>	370 (14")							
Division value of X-axis dial	mm/rev	0.02 (0.0008"/rev)							
Axis feed	X	0.03–3.52 (0.001–0.14"/rev)							
	Z	0.06–7.04 (0.002–0.27"/rev)							
Threading	Metric	(62) 1–120							
	Diametral	(70) 1–120 D.P.							
	Module	(53) 0.25–30 M.P.							
	Whitworth	(70) 0.25–30 TPI							
Spindle speeds	rpm	(16) 4–420							
Chuck mount		A2–11							
Spindle bore diameter	mm	Ø152 [opt. 230, 305] (5.9" [opt. 9, 12"])							
Tool shank size	mm	40x40 (1.5x1.5")							
Tailstock quill diameter	mm	Ø115 (4.5")							
Tailstock quill travel	mm	305 (11.5")							
Tailstock quill taper		MT6							
Main spindle motor	kW	15 (20 Hp)				22 (30 Hp)			
Weight	kg	8300	9300	10300	11300	12300	13300	14300	
		(18,260 lbs)	(20,460 lbs)	(22,660 lbs)	(24,860 lbs)	(27,060 lbs)	(29,260 lbs)	(31,460 lbs)	
Item No.		<b>1610008</b>	<b>1610009</b>	<b>1610010</b>	<b>1610011</b>	<b>1610012</b>	<b>1610013</b>	<b>1610014</b>	

\*The above specifications are subject to change without prior notice. No liability for printing mistakes. Machine may be shown with optional equipment.