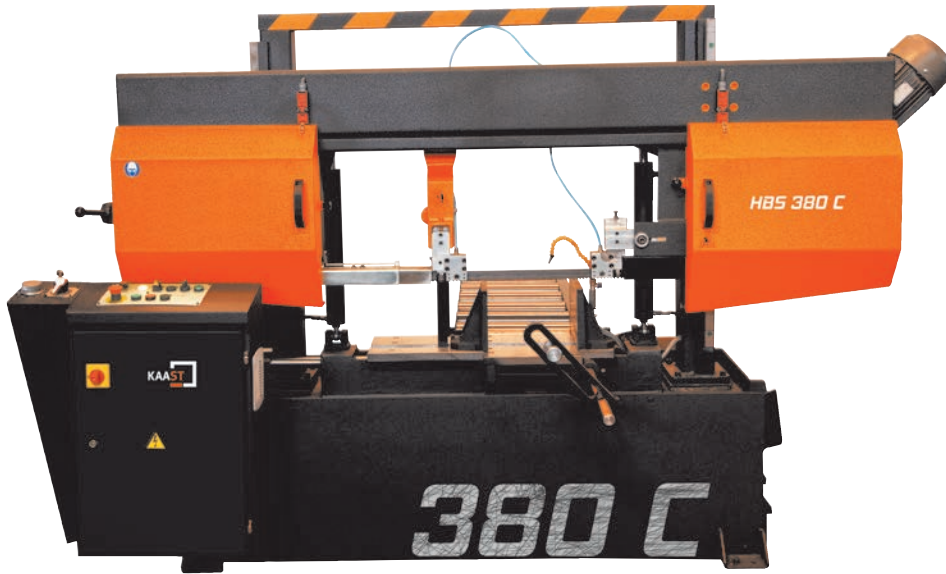




Semi automatic bandsaw

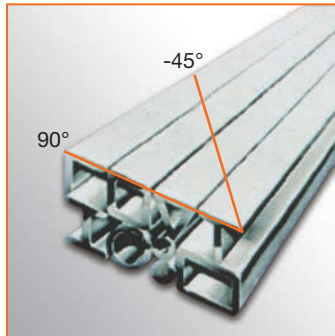
HBS 325 C • 380 C • 460 C • 560 C • 810 C • 1100 C

13" to 43"



Standard configuration

- ✓ Monoblock saw frame guide runs on precision ground linear guides
- ✓ Automatic lift of the saw head at the end of the cut by hydraulic cylinder with adjustable lifting height
- ✓ Hydraulic quick-action vise with exact adjustment from 90° through 45°
- ✓ Infinitely variable band speed 20-100 m/min (65-325'/min)
- ✓ Carbide blade guides and rollers
- ✓ Roller conveyor 1200 mm (47")
- ✓ Automatic blade breakage control
- ✓ Hydraulic blade tension
- ✓ 1 pc. bimetallic bandsaw blade
- ✓ Operation manual

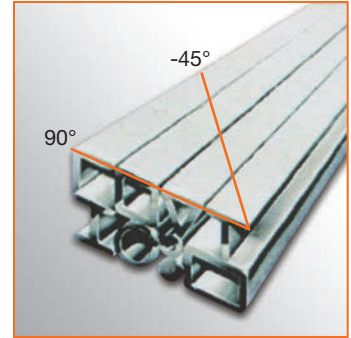
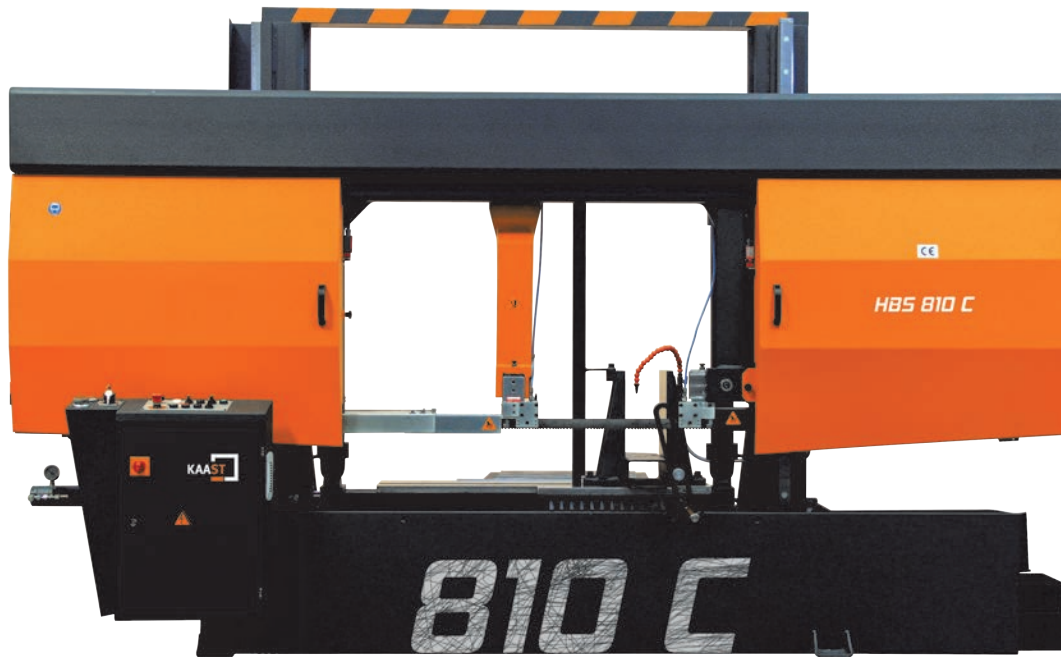


Optional configuration

- Hydraulic top clamping
- Chip conveyor
- Rotating plate for mitre adjustment
- Minimal quantity coolant system
- Roller conveyor 3000 mm (118")
- Motor driven roller conveyor 3000 mm (118")
- Bimetallic band saw blade (different tooth pitches)

Specifications			HBS 325 C 13"	HBS 380 C 15"	HBS 460 C 18"
Cutting capacity 90°	●	mm	Ø325 (13")	Ø380 (15")	Ø460 (18")
	■	mm	450x325 (18x13")	520x380 (20x15")	650x460 (26x18")
	■	mm	325 (13")	380 (15")	460 (18")
Cutting capacity 45°	●	mm	Ø250 (10")	Ø300 (12")	Ø380 (15")
	■	mm	250x325 (10x13")	300x380 (12x15")	380x460 (15x18")
	■	mm	250 (10")	300 (12")	380 (15")
Band speed		m/min	20-100 (65-325'/min)		
Main drive motor		kW	2.2 (3 Hp)	3 (4 Hp)	4 (5 Hp)
Hydraulic system motor		kW	0.55 (0.75 Hp)		
Saw blade dimensions		mm	4160x34 x1.1 (164x1.25x0.04")	4800x34x1.1 (189x1.25x0.04")	5200x41x1.3 (205x1.5x0.05")
Working height		mm	580 (23")	590 (23")	590 (23")
Dimensions (L/W/H)		mm	2150x860x1500 (85x34x59")	2850x930x1660 (112x37x65")	3100x1000x1800 (122x39x71")
Weight		kg	820 (1,800 lbs)	1150 (2,530 lbs)	1410 (3,100 lbs)
Item No.			8502009	8502011	8502014

*The above specifications are subject to change without prior notice. No liability for printing mistakes. Machine may be shown with optional equipment.



Cutting

Turning

Milling

Drilling/Boring

Grinding

Sawing
Fully auto • Semi auto

Fabricating

Specifications		HBS 560 C 22"	HBS 810 C 32"	HBS 1100 C 43"
Cutting capacity 90°	● mm	Ø560 (22")	Ø810 (32")	Ø1100 (43")
	■ mm	750x560 (29.5x22")	810x850 (32x33.5")	1100x1300 (43x51")
	■ mm	560 (22")	810 (32")	1100 (43")
Cutting capacity 45°	● mm	Ø410 (16")	Ø480 (19")	-
	■ mm	410x560 (16x22")	480x850 (19x33.5")	-
	■ mm	410 (16")	480 (19")	-
Band speed	m/min	20-100 (65-325'/min)		
Main drive motor	kW	4 (5 Hp)	4 (5 Hp)	11 (15 Hp)
Hydraulic system motor	kW	1.1 (1.5 Hp)	1.5 (3 Hp)	7.5 (10 Hp)
Saw blade dimensions	mm	6000x41x1.3 (236x1.5x0.05")	8200x41x1.3 (323x1.5x0.05")	10500x67x1.6 (413x2.5x0.06")
Working height	mm	590 (23")	585 (23")	545 (21")
Dimensions (L/W/H)	mm	3400x1000x2050 (134x39x81")	3900x1200x2350 (154x47x93")	4800x1500x2975 (189x59x117")
Weight	kg	1750 (3,850 lbs)	2300 (5,060 lbs)	8050 (17,710 lbs)
Item No.		8502017	8502020	8502022

*The above specifications are subject to change without prior notice. No liability for printing mistakes. Machine may be shown with optional equipment.